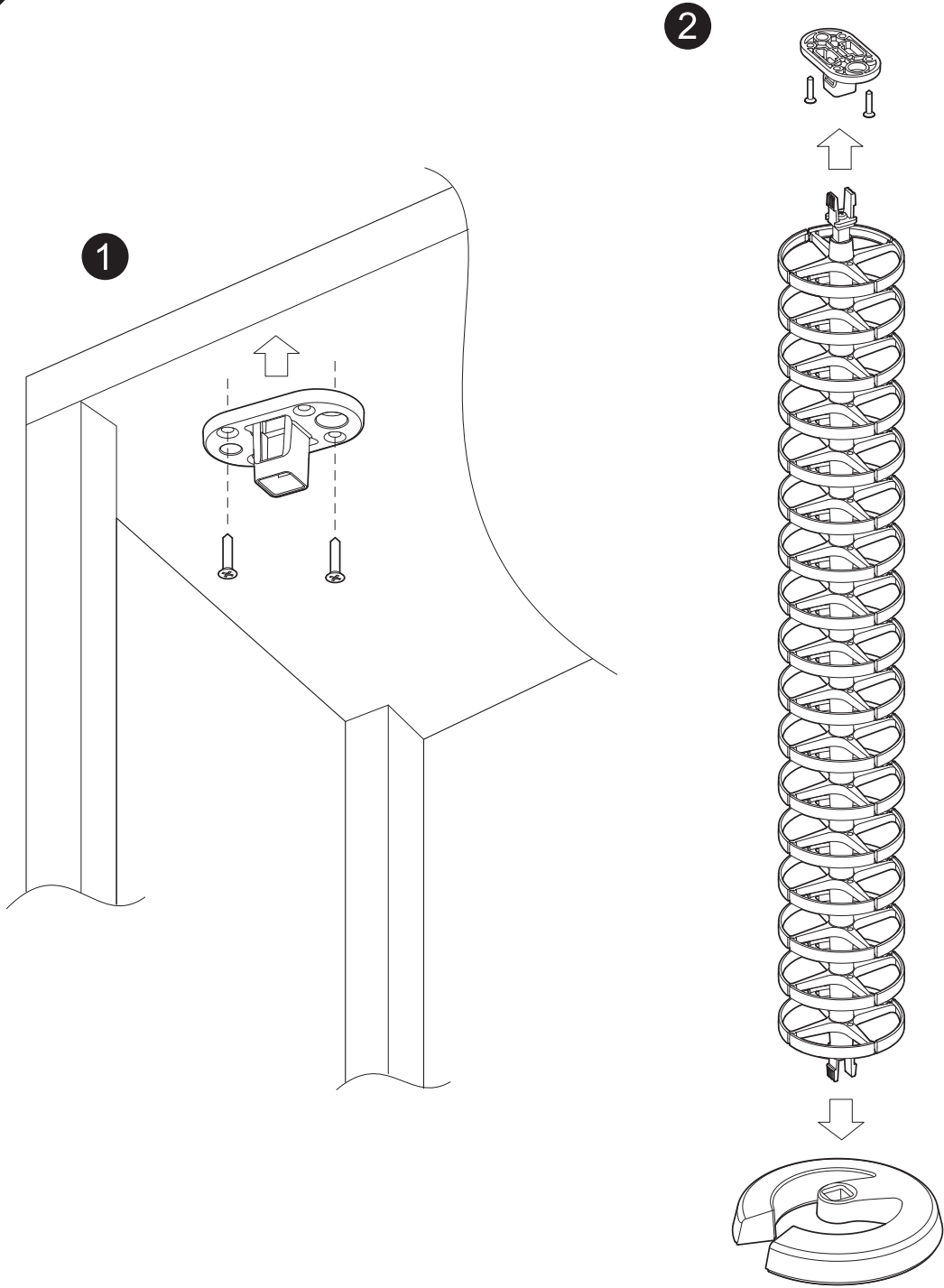




Slinky (WM3-001) installation instructions



WARNING

- Do not use this product for any purpose other than that for which it was designed.
- Care should be taken to avoid trapping fingers.
- Slinky base contains a heavy weight. Please be careful when handling and installing and do not swing the Slinky around.
- Slinky is designed only for the purpose of guiding cables. Electronic transformers or other electrical accessories should NOT be housed within the Slinky .

MAINTENANCE and INSPECTION

- Clean with a damp cloth, NO solvents.

DISCLAIMERS

- The use of power tools, lever bars or excessive force during the installation, or re-configuration of the product will invalidate your guarantee.
- Failure to observe the recommendations in the use, and configuration of these products may affect your guarantee.